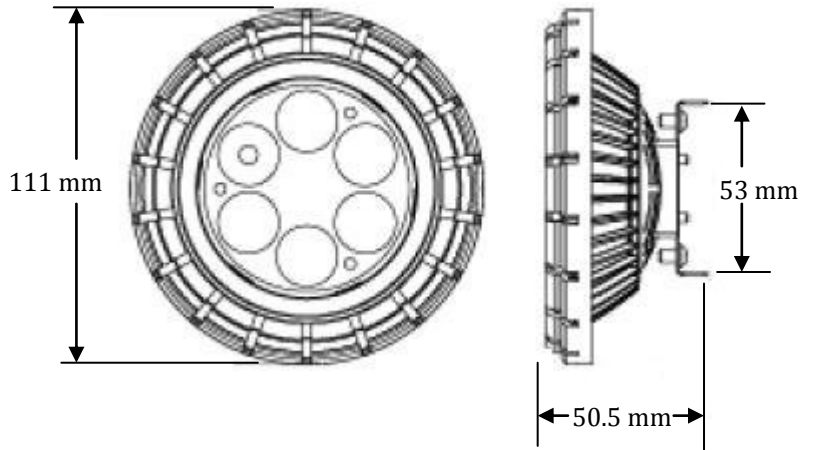


AR111 LED Light Bulb

DIMENSIONS and SPECIFICATIONS



FEATURES

- Perfectly optical performance
- Direct replacement for any halogen AR111 bulbs
- Cool beam avoids heat degeneration
- Optimized thermal management
- UV or IR free
- Switching mode power designs give high-efficient and constant current source

APPLICATIONS

Institutional	Hallway	Workplace Lighting
Mercantile	Living Room	Accent Lighting
Hospitality	Dinning Room	Reading Lighting
Healthcare	Kitchen	Furniture Luminaries
Educational	Bedroom	Orientation Lighting
Entertainment	Bathroom	Ceiling-mounted Luminaries
Industrial	Home Office	Wall-mounted Luminaries
Transportation	Utility Room	
Residential	Staircase	
Sports	Basement	
Recreational	Garage	

CAUTIONS

- Do not stare into beam
- Do not use in a full enclosed fixtures
- Do not use with dimmer
- Do not use with emergency lights
- Do not change the mechanical design
- Risk of electric shock
- Keep the environment dry
- For dry location only
- For indoor use only

SPECIFICATIONS

Model	61906501	61906602	61906503	61906604
Optical				
Color Temperature	5200 K	3000 K	5200 K	3000 K
Light Color	Neutral White	Warm White	Neutral White	Warm White
Luminous Flux	484 lm	387 lm	486 lm	388 lm
Beam Angle	15°	15°	25°	25°
CRI	70	75	70	75
Lux at 3 m	303 lux	243 lux	185 lux	148 lux

Electrical

Nominal Wattage	7 W
Nominal Voltage	AC 12 V, 50-60 Hz / DC 12 V

Mechanical

Cover	Clear
Outline Dimension	φ 111 x 50.5 mm
Net Weight	0.16 Kgs
Operating Temp.	-20 °C to +40 °C

Packaging

Pieces / Box	1
Box Dimension	118 x 118 x 75 mm / 0.215 KG
Boxes / Carton	60
Carton Dimension	825 x 422 x 264 mm / 14.5 KG

General

Housing	Aluminum alloy
LED's Source	Nichia 083BT LED x 6