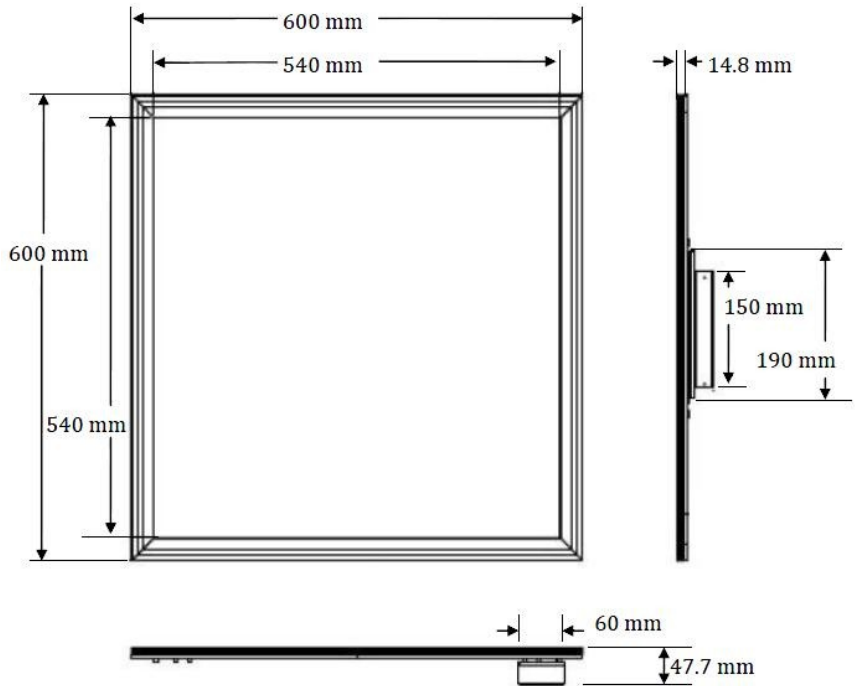
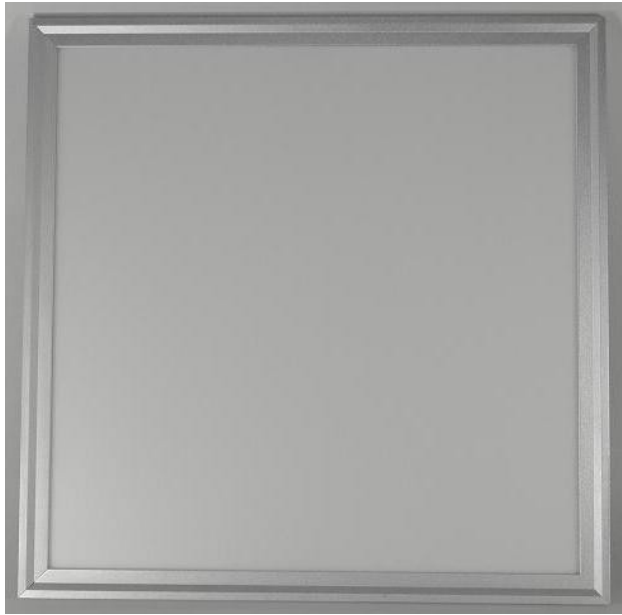


Ceiling Panel

DIMENSIONS and SPECIFICATIONS



FEATURES

Energy saving	Longer lifetime
High luminous efficiency	Environment friendly
Easy Installation	Replace halogen bulbs and CFL
Won't raise room temperature	Comfortable light color
No IR or UV radiation	Good for indoor use

APPLICATIONS

Institutional	
Mercantile	Library
Hospitality	Home Office
Healthcare	Kitchen
Educational	Hallway
Entertainment	Basement
Industrial	Garage
Transportation	
Residential	
Sports	

CAUTIONS

- Do not stare into beam
- Do not use in a full enclosed fixtures
- Do not use with dimmer
- Do not use with emergency lights
- Do not change the mechanical design
- Risk of electric shock
- Keep the environment dry
- For dry location only
- For indoor use only

SPECIFICATIONS

Model	61560402	61560503	61560604
Optical			
Color Temperature	5800 +/- 300 K	4000 +/- 300 K	3000 +/- 300 K
Light Color	Cool White	Neutral White	Warm White
Luminous Flux	2,500 lm	2,400 lm	2,300 lm
Source Surface Luminance	12,000 lux		
Uniformity (9 points distributed uniformly)	70 %		
Average Beam Angle (10%)	160°		
Electrical			
Nominal Wattage	60 W		
Nominal Voltage	100 - 240 V AC		
Operating Frequency	50 - 60 Hz		
Mechanical			
Outer Dimension (Light Module)	600 x 600 x 14.8 (+/- 0.5) mm		
Outer Dimension (Power Module)	190 x 60 x 30 (+/- 0.5) mm		
Operating Temperature	-20 °C to +45 °C		
Storage Temperature	-40 °C to +60 °C		
Packaging			
Pieces / Box	1	4	
Box Dimension	685 x 657 x 154 mm	700 x 690 x 345 mm	
Safety and EMC compliance of Power Supply Unit			
Safety	EN 61347, EN 61347-2-13		
EMC	EN 55015, EN 61547		