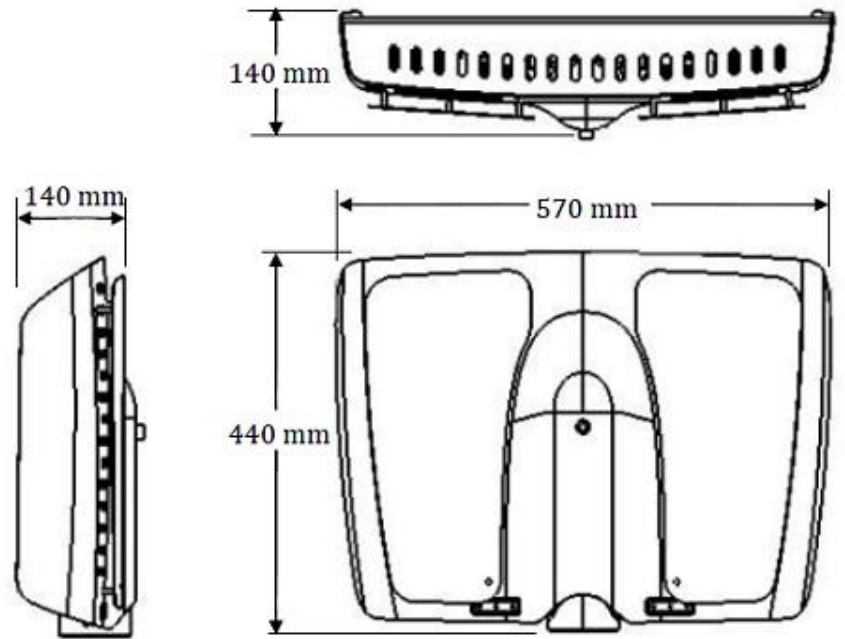


Street Lamp (150W)



DIMENSIONS and SPECIFICATIONS



FEATURES

Energy saving	Replace halogen bulbs and CFL
High luminous efficiency	Comfortable light color
No IR or UV radiation	Good for outdoor use
Longer lifetime	
Environment friendly	

APPLICATIONS

Institutional
Mercantile
Hospitality
Healthcare
Educational
Entertainment
Industrial
Transportation
Sports
City & Urban

CAUTIONS

Do not stare into beam
Do not use in a full enclosed fixtures
Do not use with emergency lights
Do not change the mechanical design
Risk of electric shock

SPECIFICATIONS

Model	81799502
Optical	
Light Color	Cool White
Luminous Flux	8095 lm
Luminous Efficacy	51.8 lm/W
Uniformity (9 points distributed uniformity)	>= 40 %
Luminous Angle	X-150° / Y-150°
Luminance	36 lux @ 8M
Electrical	
Nominal Wattage	150 W
Nominal Voltage	100 - 240 V AC
Operating Frequency	50 - 60 Hz
Mechanical	
Housing	Aluminum with Hard Coating
Lens	PC Reflector with Aluminum Coating
Outer Dimensions	440 x 570 x 140 mm
Weight	< 9 Kgs
Operating Temperature	-20 °C to +40 °C
Storage Temperature	-40 °C to +80 °C
IP Level	IP 65
LED Source	High Power LED
LED Life	50,000 hrs based on manufactures' test data
Packaging	
Pieces / Box	1
Listing	
	CE, CNS 15015, CNS 9118, CNS 15174